



## DeVilbiss® FLG™

### General Purpose Spray Gun

**General purpose spray gun for a wide range of refinish paints and coatings**

The *DeVilbiss* FLG is a low cost, general purpose spray gun solution for use with a wide range of refinish paints and coatings.

It's suitable for most routine spray jobs in the refinish workshop, as well as handling DIY enthusiasts' projects. This versatile gun is available in gravity and suction feed spray setups for batch applications, as well as a pressure feed option for larger project areas requiring fast coverage without the added downtime of re-filling small cups.

#### FEATURES & BENEFITS

- Full control of pattern shape, fluid flow rate and air inlet pressure for consistent application
- Ergonomic gun handle shape for balance, grip and comfort
- Smooth action trigger with exceptionally light pull for reduced fatigue during long operation
- Efficient atomization technology for reduced material usage
- Flexible setup options of gravity, suction or pressure feed to meet your needs

#### APPLICATIONS

- Primer
- Basecoat
- Clearcoat

*Contact your sales representative to place your order today.*



## Specifications

<b>Weight</b> (gravity gun only)	465g
<b>Weight</b> (pressure gun only)	485g
<b>Gun Body</b>	Aluminum
<b>Air Cap</b>	Plated Brass
<b>Air Cap Retaining Ring &amp; Knobs</b>	Clear Anodized Aluminum
<b>Fluid Nozzle</b>	Stainless Steel
<b>Fluid Needle</b>	Stainless Steel
<b>Air Inlet Thread</b>	1/4" Universal
<b>Service Bulletin</b>	SB-E-2-999

## Top Assembly Part Numbers

Part Number	Description	Air Cap	Nozzle Size	Material Cup	Gauge	Material Feed
905161	FLG Pressure HVLP Gun Kit	FLG-693	1.4mm, 1.8mm	-	HAV-501	Pressure
905162	FLG Pressure HVLP Gun Kit	FLG-693	1.4mm, 1.8mm	1L, Aluminum Pressure Cup	-	Pressure
905163	FLG Gravity HVLP Gun Kit	FLG-693	1.3mm, 1.4mm, 1.8mm	560ml, Acetal	HAV-501	Gravity
905165	FLG Gravity HVLP Gun Kit	FLG-693	1.8mm, 2.0mm	560ml, Acetal	-	Gravity



## Air Cap Offerings

Air Cap	Atomization Type	Applications	Recommended Inlet Pressures		Max Air Consumption		Fan Pattern Size		Nozzle Sizes
			PSI	BAR	SCFM	SLPM	in	mm	
Gravity Feed									
FLG-693	HVLP	All Purpose	26	1.75	12.0	340	11.0-12.0	285-300	1.3mm-2.0mm
FLG-5	High Efficiency	All Purpose	35	2.4	9.9	280	11.0-12.0	285-300	1.3mm-2.0mm
Pressure Feed									
FLG-693	HVLP	All Purpose	26	1.75	12.0	340	11.0-12.0	285-300	1.1mm-1.8mm
FLG-622 Pressure Feed Only	High Efficiency	All Purpose	35	2.4	9.9	280	10.0-12.0	265-300	1.1mm-1.8mm
Suction Feed									
FLG-693	HVLP	All Purpose	26	1.75	12.0	340	11.0-12.0	285-300	1.8mm
FLG-5	High Efficiency	All Purpose	35	2.4	9.9	280	11.0-12.0	285-300	1.8mm

Refer to [autorefinishdevilbiss.com](http://autorefinishdevilbiss.com) for a complete listing of approved areas and requirements for regulatory compliance.

## Table 1: Parts & Accessories

Part Number	Description	Part Number	Description
905334	FLG-693 Air Cap	Suction Feed Setup Components (FLG-693 & FLG-5 Air Caps)	
905332	FLG-5 Air Cap	905344	1.8mm Suction Fluid Nozzle
905333	FLG-622 Air Cap	905351	FLG Suction Fluid Needle for 1.8mm Nozzle
905345	FLG Retaining Ring	Gravity Feed Setup Components (FLG-693 & FLG-5 Air Caps)	
905352	Fluid Nozzle Seal (pack of 10)	905340	1.3mm Gravity Fluid Nozzle
905335	FLG Gravity/Suction Feed Baffle Replacement Kit	905341	1.4mm Gravity Fluid Nozzle
905336	FLG Pressure Feed Baffle Replacement Kit	905344	1.8mm Gravity Fluid Nozzle
905337	FLG Gravity/Suction Spray Gun Repair Kit	905342	2.0mm Gravity Fluid Nozzle
905338	FLG Pressure Spray Gun Repair Kit	905348	FLG Gravity Fluid Needle for 1.3 & 1.4mm Nozzles
180006	Air Inlet Adjustment Valve with Analog Readout	905349	FLG Gravity Fluid Needle for 1.8mm Nozzle
905204	Acetal Gravity Cup - 560ml	905350	FLG Gravity Fluid Needle for 2.0mm Nozzle
702576	Aluminum Gravity Cup - 900ml	Pressure Feed Setup Components (FLG-693 & FLG-622 Air Caps)	
905353	Suction Cup & Lid Assembly	905343	1.1mm Pressure Fluid Nozzle
802200	DPC-43 - DeKups® Adaptor (Gravity Feed Guns)	905341	1.4mm Pressure Fluid Nozzle
803750	SNF-43 - SNAP N FLOW™ Adaptor (Gravity Feed Guns)	905344	1.8mm Pressure Fluid Nozzle
		905346	FLG Pressure Fluid Needle for 1.1mm Nozzle
		905347	FLG Pressure Fluid Needle for 1.4mm Nozzle
		905351	FLG Pressure Fluid Needle for 1.8mm Nozzle

## DeVilbiss® FLG Exploded Reference Legend

Reference	Part Number	Description	QTY
1	905345	Retaining Ring	1
2	See Table 1	Air Cap	1
3	See Table 1	Fluid Nozzle	1
4**†	-	Gasket	1
5**†	-	Sprayhead, Gravity & Suction	1
		Sprayhead, Pressure Only	1
6*	-	Needle Packing	1
7*†	-	Seal	2
8*†	-	Valve Seat	1
9*†	-	Air Valve Stem	1
10*†	-	Air Valve Spring	1
11	See Table 1	Fluid Needle	1
12†	-	Gasket	1

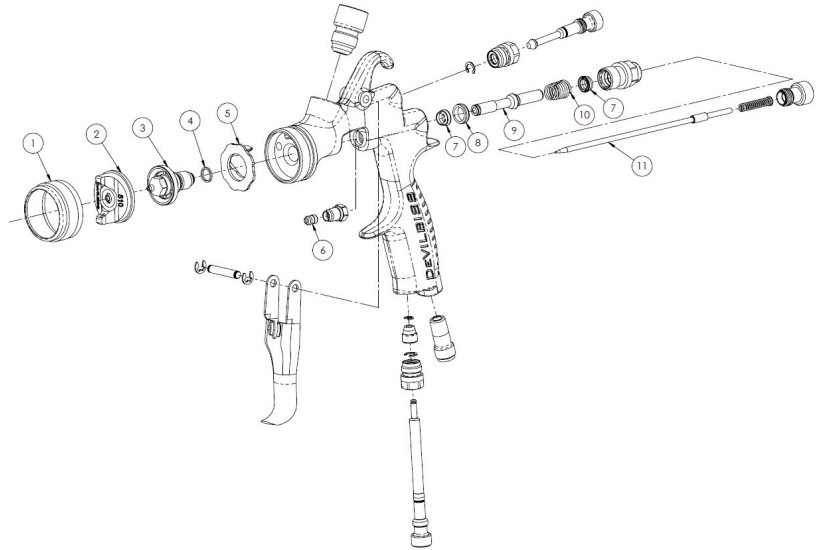
# 905335 - Gravity/Suction Gun Baffle Replacement Kit (Items 4 & 5)

# 905336 - Pressure Gun Baffle Replacement Kit (Items 4 & 5)

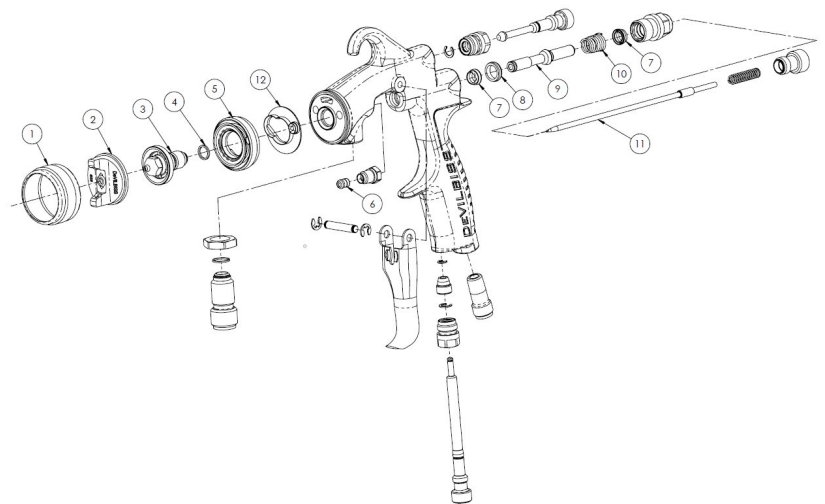
\* 905337 - Gravity/Suction Gun: Seal, Baffle & Gasket Replacement Kit (Items 4, 5, 6, 7, 8, 9 & 10)

† 905338 - Pressure Gun: Seal, Baffle & Gasket Replacement Kit (Items 4, 5, 7, 8, 9, 10 & 12)

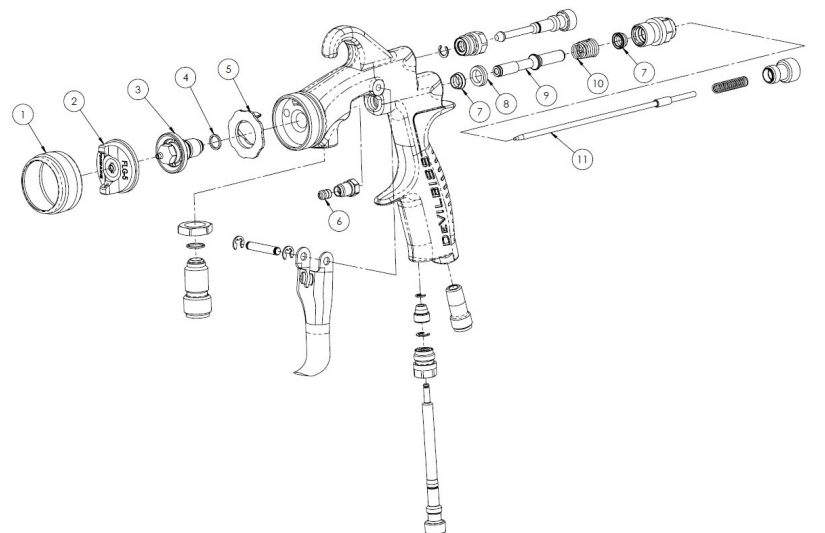
### FLG Gravity Feed Spray Gun



### FLG Pressure Feed Spray Gun



### FLG Suction Feed Spray Gun



For a full detail exploded view, please reference the FLG service bulletin SB-E-2-999

# Innovation *Applied*

## The brands you trust

*DeVilbiss*® Automotive Refinishing is a Carlisle Fluid Technologies brand featuring renowned *DeVilbiss*® fit, feel and balance combined with exceptional performance. *DeVilbiss*® brand products include low-pressure manual and automatic spray guns and related accessories, including air filter reducing valves and regulators, and hoses.

Carlisle Fluid Technologies, a wholly-owned subsidiary of Carlisle Companies Incorporated, is dedicated to providing customers industry-leading solutions for the supply, control, application and curing of a wide range of paints, powders, sealants, adhesives, foams and other application materials. Focused on efficient, cost-effective global solutions for the transportation and other industrial markets, the company offers an expanding collection of pioneering product brands — *DeVilbiss*®, *Ransburg*®, *ms*®, *BGK*®, *Binks*® and *Hosco*®.

## Let's start a conversation

We want to work together to help answer your application challenges. To learn more about what we can offer, visit our website or call us today.

 [instagram.com/devilbiss\\_refinish](https://www.instagram.com/devilbiss_refinish)

 [facebook.com/DeVilbissInternational](https://www.facebook.com/DeVilbissInternational)

 [@CarlisleFT](https://twitter.com/CarlisleFT)

 [linkedin.com/company/Carlisle-Fluid-Technologies](https://www.linkedin.com/company/Carlisle-Fluid-Technologies)

### ***DeVilbiss*® Automotive Refinishing**

+1 800 445-3988 | [askus@carlisleleft.com](mailto:askus@carlisleleft.com) | [autorefinishdevilbiss.com](http://autorefinishdevilbiss.com)



+ 1 800 992-4657 | [askCFT@carlisleleft.com](mailto:askCFT@carlisleleft.com) | [CarlisleFT.com](http://CarlisleFT.com)

©2020 Carlisle Fluid Technologies, Inc. | *BGK*®, *Binks*®, *DeVilbiss*®, *Hosco*®, *ms*® and *Ransburg*® are registered trademarks of Carlisle Fluid Technologies, Inc. | Models and specifications subject to change without notice. All rights reserved. AMPM632-JUN20 | Form No. 09-134-01